

IT-200 DTV Head-End Processor



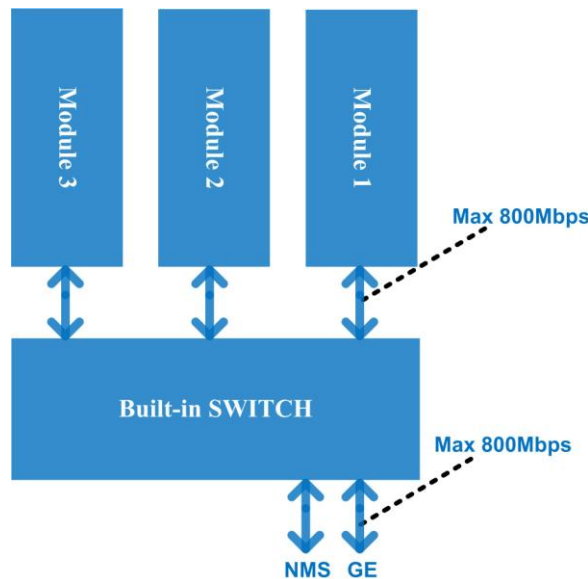
Rt qf wev'Qwvlpq'

KV/422" F VX" j gcf/gpf" r tqeguut" ku" vj g" pgy guv" i gpgtcvqp" qh" r tqeguutqpcn'j gcf/gpf" r tqeguutqpi "gs vkr o gpv0Vj ku"3/W'ecug"eqo gu"y kj " 5" kpf gr gpf gpv" o qf wrq" unqvu." cpf "k" ecp" dg" eqo dlpqf" y kj " f hgt gpv" o qf wrgu" cu" {qwt" j gcf/gpf" u{vgo " ceeqtf kpi " vq" {qwt" qr gtcvqp" tgs vkt go gpw0Gcej "o qf wrq"ecp"dg"eqphki wgf "kpf kxf wcm{ "dcugf "qp"vj g" cr r rlec vqp" kpenwf kpi " gpeqf kpi . " f geqf kpi . " tcpu/eqf kpi . " o wnr rz kpi . " f guetco dtkpi " cpf "o qf wrv kpi " r tqeguutqpi 0KV/422" j gcf/gpf " r tqeguut" dtkpi u" c" y j qrg" pgy " ngxgn" qh" kpvgnki gpeg" cpf " j ki j " r gthqto cpeg" vq" vj g" pgy qtn'cv'c" equ" ghgcvxg" r tleg0'

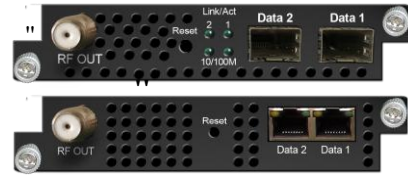
Mg{ 'Hgc wvt gu'

- O qf wrt k g f 'r nvi /kpf guli p. '3W'ej cuku' bpf '5' unqv'
- ""Uwr r qt v' hgzkdq' 'eqo dlpvqp' qh' bcp{ ' f hgt gpv' v{ r g' qh' b qf wgu'
- O czko wo ' ! 220 ' f cv' r tqeguutqpi ""
- Uwr r qt v' 3' I G' dkkf k gevqp * F cv' r qt v: ' TL67' kpvgt hceg''
- Uwr r qt v' Y gd' b cpci go gpv. ' Wf f cvg' xk' y gd''

Rt kpek r g' Ej ct v'



38154'S CO 'O qf wv vpi 'O qf wg"



K/538 K/554"

"
"
"
"
"
"
"
"

"
"
"

"
"
"

"
"
"
"
"
"
"
"

O qf wg'Ur gell ec vku
 F cv' lpr w'34: "R" lpr w'lt qo "lt qpv'r cp gn'F cv'r qtv"
 O cz'734"R" lpr w'qxgt "WF RIT VR."4" I G'Rqt w'*TL67 IUHR+//K/538"
 O cz'3246"R" lpr w'qxgt "WF RIT VR."4" I G'Rqt w'*TL67 IUHR+//K/554"
 F cv"qwr w'38154"R" qwr w'qxgt "WF RIT VRIT VUR."vplecuvlo wnekucv."4" I G'Rqt w'
 *TL67 IUHR+ "
 Vtcpu" T cvg<O cz": 620 dr ull G'Rqt v"
 TH'qwr w'H'v' r g+<38154"ej cpggn'qh'o wnk r gzkpi ."uetco dtkpi "cpf"o qf wv vpi "
O wnk r gzkpi <
 O czlo wo "RKF" Tgo cr r lpi <3: 2"qwr w'r kf u'r gt"ej cpggn'//K/538"
 478"qwr w'r kf u'r gt"ej cpggn'//K/554"
 Hwpe vqp<RKF "tgo cr r lpi "*cwqo cvkcm" qt"o cpwcm{ + "Cee wcvg"RET" cf l wv vpi ."
 i gpgt cvg"RUKUK'cdng"cwqo cvkcm{ "
Uetco dtkpi <
 O czlo wo "uko wret {r v'EC<6" "" ""
 Ucpf ctf : GVT4: ; ."GVUK323"3; 9."GVUK325"3; 9"
 Eqppgev kq: Nqecnl tgo qvg"eqppgev kq"
O qf wv vqp<
 Ucpf ctf <GP 522"64; IK/W/V"LO 5C ID" *F XD/E+" "" ""
 O GT <x62f d"
 TH'lt gs wpe{ <72ç; 820 J | ."3MJ | "uvgr "
 TH'qwr w'ngxn' /42ç- 32f do '*. 9ç339" f dUX+."20f d'uvgr "hqt"cm'lectt lgtu"
 U{ o dqn' T cvg<700 ur uç900 ur u."3mur u'uvgr r lpi ""
 Eqpugnc vqp<38154186134: 1478S CO ""
 TH'Qwr w'38"pqp/cf lcegpv'ectt lgt"qwr wu'y kj lpi'3; 40 "dcpf y kf vj ///K/538"
 54"pqp/cf lcegpv'ectt lgt"qwr wu'y kj lpi'5: 60 "dcpf y kf vj ///K/554"